

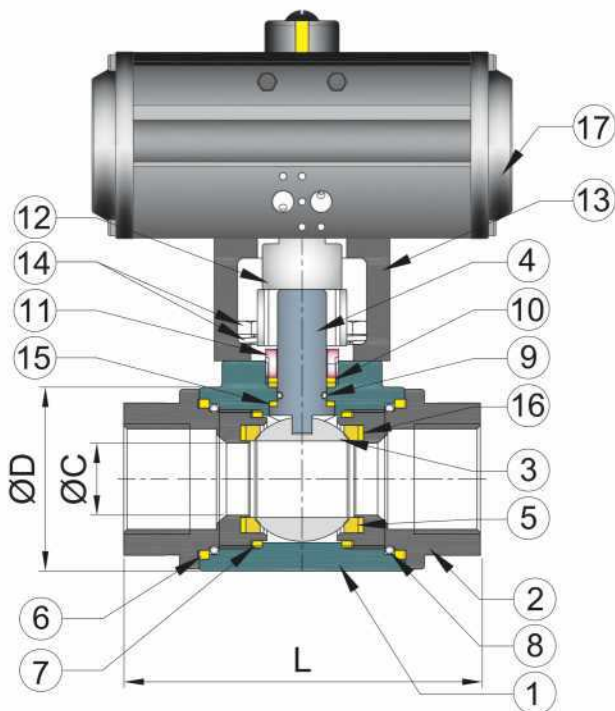
High Pressure "WOG-3000" Floating Ball Valve



"aira" Offers Pneumatic Actuator Operated Low Torque High Pressure Floating Ball Valve. This range offers reliable option of high pressure application. These valve are recommended for the use in Oil, Gas, Petrochemicals where the long life is required.

Size Range : 1/2" to 2" Screwed (BSP / NPT Thread)

Size	Seat	Working Pressure	Hydro Body	Hydro Seat	Pneumatic Pressure
1/2" to 2"	PEEK	200 Kg/cm ²	300 Kg/cm ²	220 Kg/cm ²	10 Kg/cm ²
1/2" to 2"	CFT	100 Kg/cm ²	300 Kg/cm ²	100 Kg/cm ²	10 Kg/cm ²



Accessories

- On / OFF Indicator
- NAMUR Standard Solenoid Valve in all Standard Coil Voltage (Flame Proof Solenoid Coil - On Request)
- Pneumatic & Electro-Pneumatic valve positioner
- Declutchable Manual Over - Ride
- Limit Switches for On / Off Indication at Panel Board
- Filter + Regulator Combination with Pressure Gauge
- Air Lock Valve

Dimensions :

Valve Model	Valve Size		L	ØC Bore	ØD	Weight Approx.
	Inch	MM				
WOG - 15	1/2"	15	98	12.5	39	2.530
WOG - 20	3/4"	20	108	18	48	3.440
WOG - 25	1"	25	108	22	55.5	4.100
WOG - 32	1.1/4"	32	133	32	76.5	8.150
WOG - 40	1.1/2"	40	133	32	76.5	7.580
WOG - 50	2"	50	159	38	89.5	13.790

(All Dimensions are in mm)

Sr. No.	Description	Material
1	Body	WCB / CF8 / CF8M / CF3M
2	Connector	WCB / CF8 / CF8M / CF3M
3	Ball	S.S.304 / 316
4	Stem Pin	S.S.304 / 316
5	Ball Seat	PEEK
6	Body Seat	CFT
7	Conn Seat	CFT
8	Conn 'O' - Ring	NBR
9	Stem 'O' - Ring	NBR
10	Stem Seat	CFT
11	Lock Bush	S.S.304 / 316
12	Adaptor	S.S.304
13	Bracket	WCB / CF8 / CF8M
14	Bracket Fitting Bolt & Washer	S.S.304
15	Stem Bottom Seat	CFT
16	Ball Secondary Seat	CFT
17	Actuator	STD.

Pub. On : March 2018 (Rev.-01)