

# Wafer Type Concentric Disc Lug Type Butterfly Valve

"aira" Offers Resilient-seated, butterfly valve for flange mounting to pipelines; concentric disc design; with replaceable liner. Suitable for use in cooling towers, waste-water applications, water treatment, water distribution, dams, gas main and service lines, pressure stations, gas storage tanks, power plants and gas pipelines industry.

**Size Range : 1.1/2" to 48" ( 40 MM to 1200 MM )**

Butterfly Valve Specification	
Valve Type	Centric Disc Butterfly Valve with Single Piece rubber lined body
Body Type	Short Wafer Type Lug
Seat Type	Integrally moulded with the body (Renewable Seat On Request)
End Connection	Wafer type double flange suit #150, Table 'D', Table 'E' & IS 6392 Table 11 (PN / PN 1.6)
Pressure	PN 10 / PN 16 (PN 20 On Request)
Temperature	-25 °C to 80 °C for Inrile Seat (Depending On MOC)
Seat Leakage	Tight Shut Off ( Class VI )

## Accessories

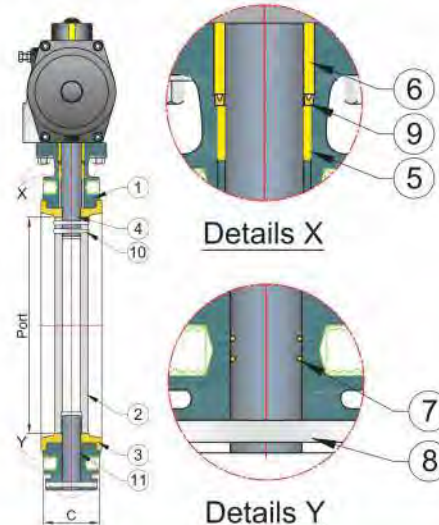
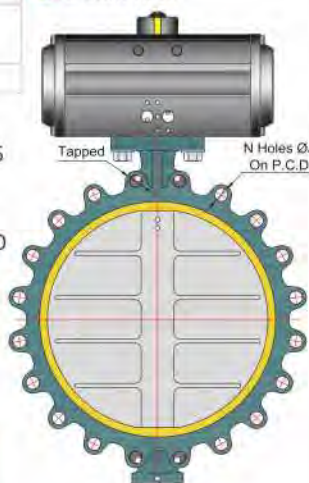
- On / OFF Indicator
- NAMUR Standard Solenoid Valve in all Standard Coil Voltage (Flame Proof Solenoid Coil - On Request)
- Pneumatic & Electro-Pneumatic valve positioner
- Declutchable Manual Over - Ride
- Limit Switches for On / Off Indication at Panel Board
- Filter + Regulator Combination with Pressure Gauge
- Air Lock Valve



## Standard

- Design And Manufacturer : API 609 category A / IS : 13095 / BS EN 593
- Valve Face To Face Dimension : Short Wafer As Per ISO 5752 TAB 5 / API 609 Category A ISO 5752 TAB 1 ( BS 5155 )
- Flange Standard Conformity : ASME B16.5 / ASME B 16.47 Series "A" Class 150.
- Inspection & Testing : API 598 / BS EN 12266 - 1
- Top Flange Drilling : ISO 5211

Equipped in - house State - of - art rubber lining machine for butterfly valve upto 72".



## Dimensions :

Valve Model	Size		Port ±1MM	C ±2MM	PCD ±0.5MM	N	Ø	Tapped ±5MM
	Inch	MM						
FLB - 40	1.1/2"	40	40	33.5	98.55	4	15.75	----
FLB - 50	2"	50	50	43.5	120.65	4	19.05	----
FLB - 65	2.1/2"	65	65	46	139.7	4	19.05	----
FLB - 80	3"	80	80	46	152.4	4	19.05	----
FLB - 100	4"	100	100	52	190.5	8	19.05	----
FLB - 125	5"	125	125	56	215.9	8	22.2	----
FLB - 150	6"	150	150	56	241.3	8	22.2	----
FLB - 200	8"	200	200	60	298.5	8	22.2	----
FLB - 250	10"	250	241	68	362	12	25.4	----
FLB - 300	12"	300	286	78	431.8	12	25.4	----
FLB - 350	14"	350	333	78	476.3	12	28.6	----
FLB - 400	16"	400	382	102	539.8	16	28.6	----
FLB - 450	18"	450	433	114	577.9	16	31.75	----
FLB - 500	20"	500	476	127	635	20	31.75	1" UNC
FLB - 600	24"	600	590	154	749.3	20	34.9	1.1/4" UNC
FLB - 700	28"	700	680	165	863.6	28	34.9	1.1/4" UNC
FLB - 800	32"	800	785	190	977.9	28	41.3	1.1/2" UNC
FLB - 900	36"	900	885	203	1085.8	32	41.3	1.1/2" UNC
FLB - 1200	48"	1200	1170	254	1422.4	44	41.3	1.1/2" UNC

(All Dimensions are in mm)

Sr. No.	Description	Material
1	Body	ASTM - A 126 Grade B ( Gry Iron )
		ASTM - A 216 Grade WCB ( Cast Steel )
		ASTM - A 536 Grade 65-45-12 ( Ductile Iron )
		ASTM - A 351 Grade CF8 / CF8M / CF3M / CD4MCuN
2	Disc	ASTM - A 126 Grade B ( Gry Iron ) + Powder Coated
		ASTM - A 216 Grade WCB ( Cast Steel ) + Powder Coated
		ASTM - A 536 Grade 65-45-12 ( Ductile Iron ) + Powder Coated
		ASTM - A 351 Grade CF8 / CF8M / CF3M / CD4MCuN Ductile Iron with PTFE / Powder / Nylon Coated & Rubber Line
3	Seat	Nitrile / EPDM / Viton / Hypelton / Neopren
4	Shaft	AISI 410 / AISI 304 / AISI 316 / AISI 316L
5	Bearing Bush	Metal Bush PTFE Coated
6	Bush	PTFE
7	'O' Ring	Nitrile / EPDM / Viton / Hypelton / Neopren
8	Dowel Pin	M.S. / AISI 410 / AISI 304 / AISI 316 / AISI 316L
9	'V' Seal	Nitrile / EPDM / Viton / Hypelton / Neopren
10	Taper Pin	AISI 304 / AISI 316 / AISI 316L
11	Bottom Pin	AISI 410 / AISI 304 / AISI 316 / AISI 316L