



"aira" Offers Pneumatic Actuator Operated The butterfly or wafer damper can be a stack damper where sealing or tight shut-off is not all-important. This type is used as an isolating damper for flue-gas scrubbers. The butterfly damper is lightweight, simple, quickly actuated and often comparatively low in cost. In process work, oval shapes adapt to that shape of duct. Occasionally, a double-disc butterfly appears resembling a

circular two-bladed louver damper. The drive for a butterfly damper is also simple, needing only 90° of motion. The torque requirement can vary widely over damper life, if corrosion and thermal effects are severe.

Size Range : 1.1/2" to 20" (40 MM to 500 MM)

Butterfly Valve Specification

Valve Type	Wafer Type Damper Valve with Metal to Metal
Body Type	Short Wafer Type (Sandwiched between flanges) Damper
Seat Type	Metal to Metal
End Connection	Wafer Sandwiched (Lug Type On Request)
Pressure Rating	PN 6 (Maximum)
Oper. Temp. Range	-25 °C to 400 °C (Depending On MOC) (Upto 600 °C On Req.)
Seat Leakage	5% Leakage of full flow (Class 1 Available On Request)

TEST PRESSURE

Testing	Body	Seat
Hydraulic	10 Kg/cm ²	5% Leakage

Accessories

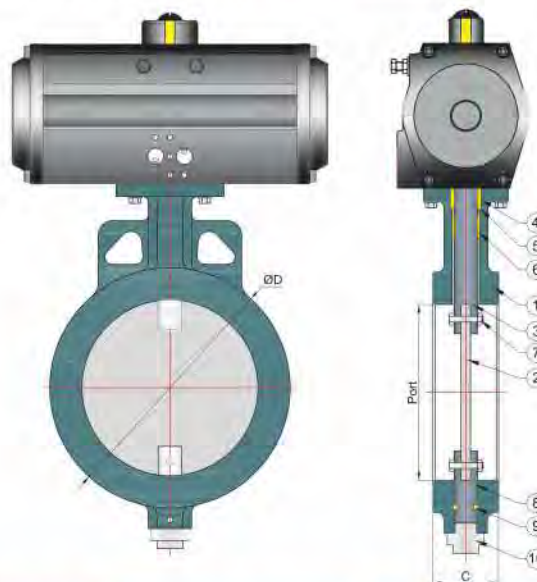
- On / OFF Indicator
- NAMUR Standard Solenoid Valve in all Standard Coil Voltage (Flame Proof Solenoid Coil - On Request)
- Pneumatic & Electro-Pneumatic valve positioner
- Declutchable Manual Over - Ride
- Limit Switches for On / Off Indication at Panel Board
- Filter + Regulator Combination with Pressure Gauge
- Air Lock Valve

Dimensions :

Valve Model	Valve Size		Port ±1 MM	C ±2 MM	ØD ±5 MM
	MM	Inch			
DP - 40	40	1.1/2"	40	33.5	85
DP - 50	50	2"	50	43.5	80
DP - 65	65	2.1/2"	65	46	102
DP - 80	80	3"	80	46	125
DP - 100	100	4"	100	52	139
DP - 125	125	5"	125	56	168
DP - 150	150	6"	150	56	204
DP - 200	200	8"	200	60	252
DP - 250	250	10"	245	68	316
DP - 300	300	12"	295	78	362
DP - 350	350	14"	340	78	405
DP - 400	400	16"	388	102	470
DP - 450	450	18"	450	90	540
DP - 500	500	20"	490	90	595

(All Dimensions are in mm)

Note : Big Sizes also available.



No.	Description	Material
1	Body	ASTM - A 126 Grade B (Gray Iron)
		ASTM - A 216 Grade WCB (Cast Steel)
		ASTM - A 536 Grade 65-45-12 (Ductile Iron)
		ASTM - A 351 Grade CF8 / CF8M / CF3M / CD4MCuN
2	Disc	IS 2062 Gr. B (M.S.) / AISI 304 / AISI 316
3	Shaft	AISI 410 / AISI 304 / AISI 316 / AISI 316L
4	Bush	PTFE
5	Graphoile Ring	Graphite
6	Bering Bush	Metal Bush PTFE Coated
7	Nut & Bolt	S. S. 202 / S. S. 304
8	Bottom Shaft	AISI 410 / AISI 304 / AISI 316 / AISI 316L
9	Graphoile Ring	Graphite
10	Bottom Cover	EN 8