

2/2 Way Semi Lift Diaphragm Operated Low Pressure Solenoid Valve



"aira" Offers 2/2 way semi Lift, high performance diaphragm type solenoid Valves, for high volume and low pressure application in air, gas, water, vacuum, light oil, corrosive fluids. available in normally close and normally open design.

Size Range : 3/8" to 4" Screwed / Flanged / Triclover End

Valves Specification	
Pressure Rating	0 to 5 Bar Max. (0 to 6 Bar On Request)
Temperature of Fluid	180 °C Max. (High Temperature On Request)
Coil Voltage	12V, 24V, 48V, 110V, 230V, AC/DC
Coil Insulation	"F" & "H" Class Suitable Upto 180 °C
Coil Encloser	IP 67 (Flame Proof / Explosion Proof as Per IS / Meets IEC 60079-1 STD for Gas Group II C Zone 1 & 2
Coil Ratings	Continuous Rated
Ends	Screwed / Flanged 150# / TC End

Model : GTD

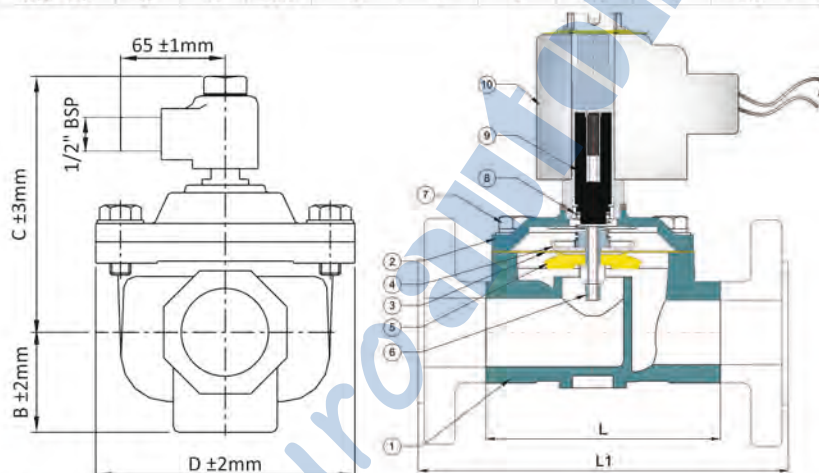


Technical Specification Table

Valve Model	Rubber Diaphragm	Size Inch	Orifice mm	Flow factor kv M ³ /hr.	Minimum Pressure bar	Maximum operating pressure (Bar)				
						AC			DC	
						Air/ Gas	Water	Light Oil	Air/ Gas	Water
GTD - 10	3/8"	16	2.6	0	6	4.0	3.0	6	5.0	3.0
GTD - 15	1/2"	16	3.4	0	6	4.0	3.0	6	5.0	3.0
GTD - 20	3/4"	19.25	4.3	0	6	3.5	3.0	6	4.0	3.0
GTD - 25	1"	25	10.3	0	6	3.5	2.0	6	4.0	2.5
GTD - 40	1.1/2"	35	19.3	0	5	3	2.0	5	4.0	2.0
GTD - 50	2"	45	32.5	0	4	3	2.0	4	3.0	2.0

Suitable For

Autoclaves, Gas burning equipments, Oil centrifuge plants, Vacuum plants, Pump seal water application, Low pressure water circulation system, solar heating systems, Gas generator etc...



Sr. No.	Description	Material
1	Body	CF8 / CF8M / CF3M
2	Cover	CF8 / CF8M / CF3M
3	Diaphragm	PTFE
4	Embossed Washer	S.S. 304
5	Diaphragm Seat	PTFE
6	Pilot Pin + Nut	S.S. 304
7	Hex Bolt + Washer	S.S.
8	Taper Spring	S.S. 304
9	Housing Set	STD.
10	Sol. Coil Body	STD.

Dimensions :

Valve Model	Size	L	L1	B	C	D	Weight Approx.		
							Screwed	Flanged	S/E
GTD - 10	3/8"	10	65.5	130	16	112	57	1.050	1.500
GTD - 15	1/2"	15	65.5	130	16	112	57	1.000	1.400
GTD - 20	3/4"	20	80	150	19.5	113	67	1.200	1.700
GTD - 25	1"	25	97	160	29	121	82	1.500	2.250
GTD - 40	1.1/2"	40	119	200	38	132	99	2.050	3.350
GTD - 50	2"	50	137	230	39	146	120	3.100	5.200
GTD - 65	2.1/2"	65	172	290	56	166.5	143	4.600	9.400
GTD - 80	3"	80	195	310	57	166	185	6.550	10.050
GTD - 100	4"	100	300	350	79	195	215.5	13.450	18.850

Note : Flange Dimensions as per 150#.

(All Dimensions are in mm)

Solenoid Coil



Explosion & Flame Proof Coil [As per IS / IEC 60079-1 standard approved by Central Institute of Mining and Fuel Research (CIMFR)]

Pub. On : July 2018 (Rev-01)



www.airaindia.com / www.airaeuro.com